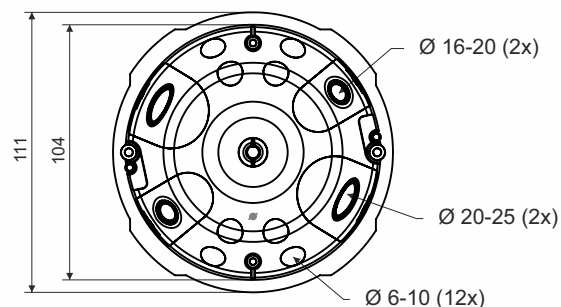
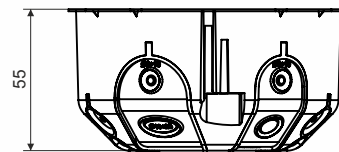




69dB



product description:

- designed for distribution system with voltage 400 V and with maximum current 16 A
- sufficient space for making more extensive wiring installations
- fitted mounting screws with plastic flange have a self-tapping double thread for quick installation
- possibility to insert terminal plates and screwless terminals
- flexible inlets holes
- labeled inputs for sealing cables and pipes in the flexible material (12x Ø6-10mm; 2x Ø16-20mm; 2x Ø20-25mm)
- air-tightness even with inserted cable or pipe
- suitable for low energy and passive houses
- prevents airflow through the installation
- not necessary to countersink the plasterboard edge when mounting
- suitable for soundproof walls with maximum soundproofing $R_w = 69\text{dB}$

material: PVC (Pb Free)

color: yellow

self-snuffing: yes, within 30 s

temperature resistance: -5 - +60 °C

flaming loop test: 850 °C

fire class for underlying material: A1-F

weight: 85 g

meets the requirements: ČSN EN 60670-1, ČSN EN IEC 60670-1 ed. 2:21

storage: ČSN 64 0090

KO 97/LD_NA - boxes fitted with screws for mounting into double wall and device screws; covers KO 97 V in carton - package: 72 pcs of boxes loose in carton

- accessories:
- terminal plate SP-96
 - screwless terminal plates TYP015, TYP016, TYP017, TYP018

- auxiliary tools:
- saw-drill VPT 97 (Ø 105mm)
 - universal carrier VPTU