

product description:

for installing devices in insulated facades from 80 mm insulation layer thickness
 suitable for common types of insulation (facade polystyrene, mineral wool)
 installation also in final insulated facades
 junction boxes with sealed membrane inlets
 included in the package: screw carrier, wiring box, installation instructions, screws

Use the KEFZ 80/VDZ set for the first box installation, which also includes a manual drilling set. This drilling set is reusable.

material: PP

color: light grey RAL 7035

self-snuffing: yes, till 30 s

temperature resistance: -25 - +60 °C

flaming loop test: 850 °C

fire class of the underlying material: A1-F

weight: 79 g

meets the requirements: ČSN EN 60 670-1
 ČSN EN IEC 60670-1 ed.2

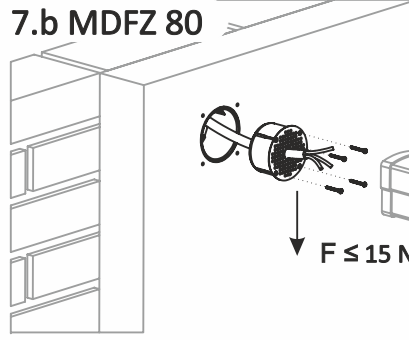
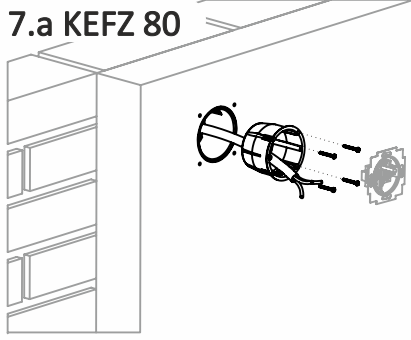
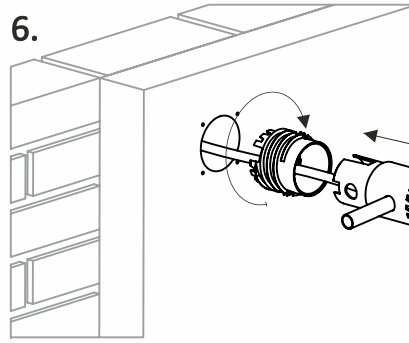
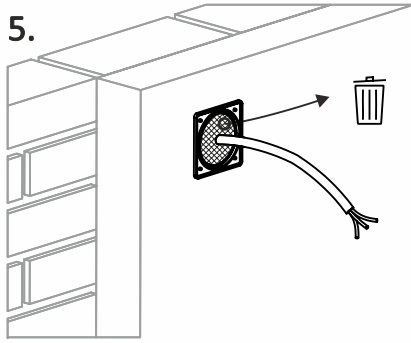
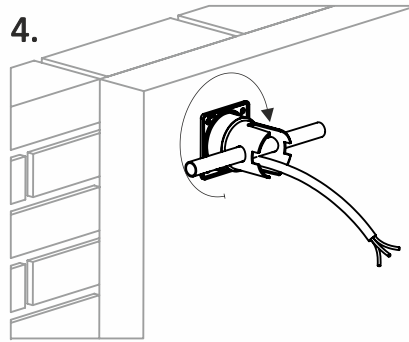
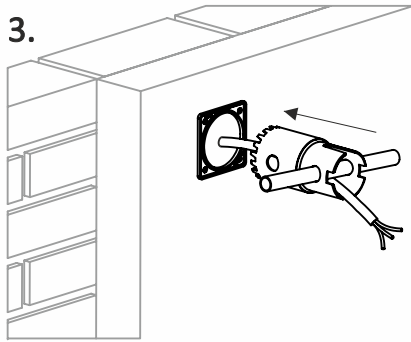
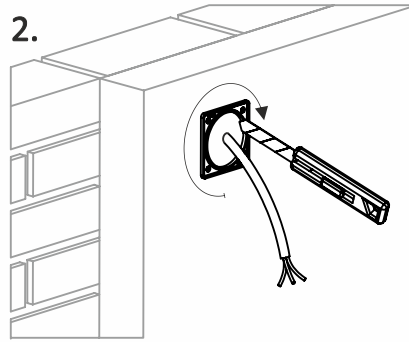
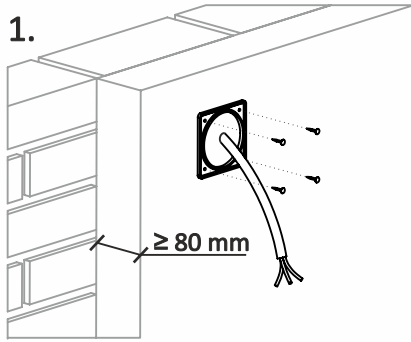
storage: ČSN 64 0090

KEFZ 80_KB - junction box, packed in cartons



<https://youtu.be/g2pgZ7ttQ3g>

Assembly instructions:



<https://youtu.be/g2pgZ7ttQ3g>