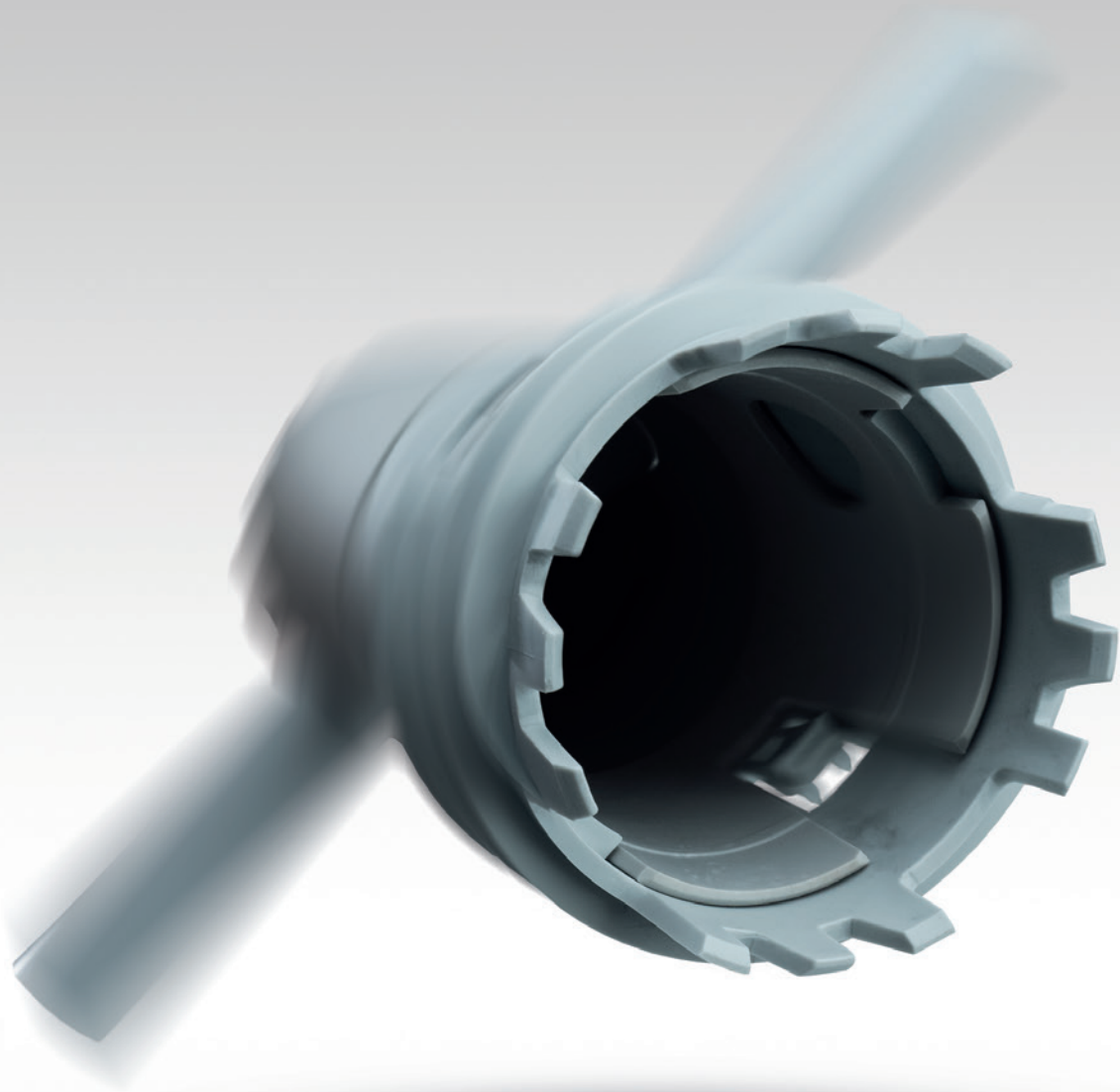




KOPOS



SYSTEMS FOR
THERMAL INSULATION



YOU STAND FOR OUR SUCCESS

New technologies guarantee the improvement and innovation of our products. For you.



SYSTEMS FOR THERMAL INSULATION

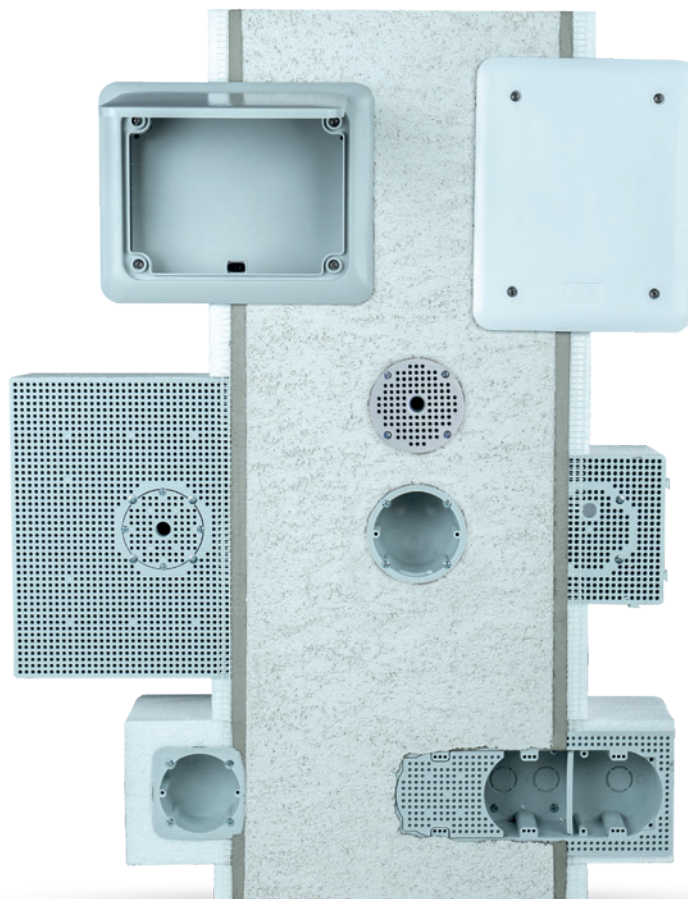
The company KOPOS KOLÍN a.s. is a leading manufacturer of wiring material with a long tradition and still brings the highest quality and useful features of its products. The range of thermal insulation products represents full range of products needed to create safe and permanent electrical installations in thermal insulation systems. With rising energy prices, but also for environmental reasons, more and more building owners are now choosing to insulate their buildings. However, quality insulation is a matter of perfected details. These also include wiring. Unfortunately, even today we encounter inappropriately chosen electrical installation materials placed in insulating layers. The result of these unprofessional installations is damaged facade in a relatively short period of use, where the repair costs money and often cannot be done without visibly repaired places.

The basis of a good quality electrical installation in insulation is a correct and firm anchoring of electrical installation material, e.g. the box under the switch. Another important feature is the minimization of thermal bridges at the space around wiring. By fulfilling these two basic requirements, we achieve a long life cycle of the electrical installation, as well as the insulation itself and the facade close to of such installation.

A common feature of professionally done electrical installation is the carrier, which serves as fixed connecting element between the supporting wall and the electrical installation itself. The length of the carrier is adjusted directly on the construction site according to the thickness of the insulation.

Depending on the application, the KEZ, KEZ-3 wiring box or the MDZ mounting plate or the KUZ multi-purpose wiring box is attached to the carrier.

Another variant are products that can be installed in already finished insulated facades. There are great emphasis on the quality and functionality of the solution here too. Thanks to this, it is possible to install the devices additionally without damaging the facade.





KEFZ 80, KEFZ 80/VDZ



wiring box for finished insulation



- for mounting of devices in insulated façades of buildings with a minimal insulation layer thickness of 80 mm
- suitable for common types of contact insulation (façade polystyrene, mineral wool)
- wiring boxes with sealed membrane inlets
- possibility of installation in already insulated façades
- KEFZ 80 - set of wiring box containing screw carrier and box
- KEFZ 80/VDZ - set of wiring box containing an additional reusable tool required for drilling into the insulation and mounting the carrier



INSTRUCTIONS

- a protective frame is attached to the insulated façade at the location of the future device using thin nails or screws
- it is necessary to break the façade and the synthetic mesh reinforcement with a cutting tool around the inner perimeter of the protective frame
- the enclosed hand drilling tool is used to drill to the depth marked on the tool
- after removing the drilled part of the insulation and removing the protective frame, the carrier is screwed into the hole
- the box is inserted into the screwed carrier and anchored with the screws from the package

It is necessary to install devices with IP rating suitable for the environment.
For rougher plaster, we recommend sealing the device with silicone.

**VIDEO
GUIDE**



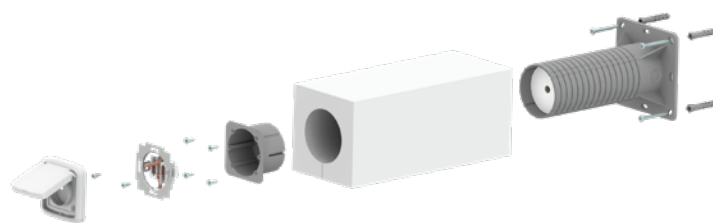
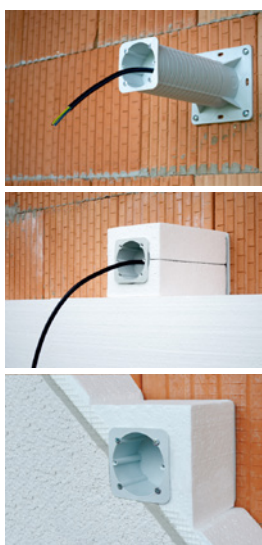


KEZ, KEZ 300

wiring box into thermal insulation



- for mounting of power sockets and switches into insulated facades of buildings
- eliminates thermal bridging
- suitable for common types of contact insulation (facade polystyrene, mineral wool)
- KEZ - for single devices into insulation thickness of 50 - 200 mm
- KEZ 300 - for single devices into insulation thickness of 50 - 300 mm
- package contains: supporting tube, wiring box, internal and external insulation, dowels and screws



**VIDEO
GUIDE**



INSTRUCTIONS

- mounting takes place during the installation of insulation
- it is necessary to cut the carrier and included insulation to the required length before mounting, according to the thickness of the insulating layer
- the carrier is fixed to the wall with screws and dowels according to the type of masonry
- the cable is routed through the carrier and the shortened insulation is inserted
- using 4 screws, box is attached to the carrier, in which the final assembly is performed

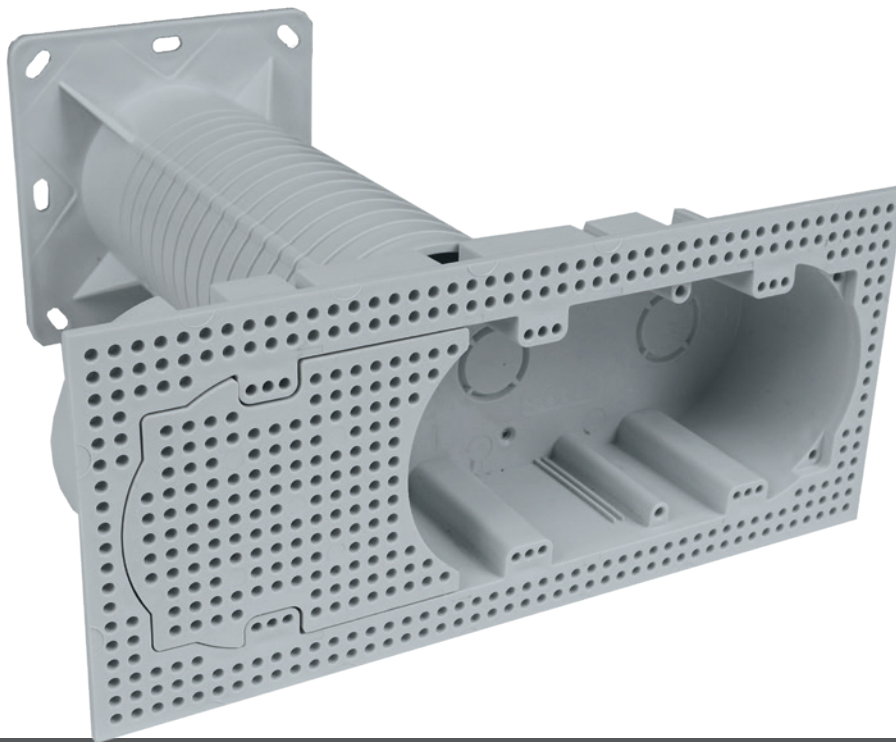
*It is necessary to install devices with IP rating suitable for the environment.
For rougher plaster, we recommend sealing the device with silicone.*



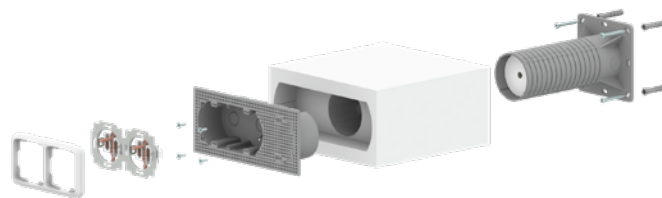
KEZ-3



multiple wiring box into thermal insulation



- for mounting of power sockets and switches into insulated facades of buildings
- eliminates thermal bridging
- suitable for common types of contact insulation (facade polystyrene, mineral wool)
- for mounting two or three devices with combined frames into insulation thickness of 100 - 250 mm
- package contains: supporting tube, wiring box, blinding cover, partition wall, internal and external insulation, dowels and screws



**VIDEO
GUIDE**



INSTRUCTIONS

- mounting takes place during the installation of insulation
- it is necessary to cut the carrier and included insulation to the required length before mounting, according to the thickness of the insulating layer
- the carrier is fixed to the wall with screws and dowels according to the type of masonry
- the cable is routed through the carrier and the shortened insulation is inserted
- using 4 screws, the box is attached to the carrier, in which the final assembly is performed

It is necessary to install devices with IP rating suitable for the environment.
For rougher plaster, we recommend sealing the device with silicone.

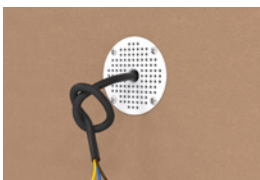


MDFZ 80, MDFZ 80/VDZ

mounting plate for finished insulation



- for mounting of smaller electrical devices (motion sensors, cameras, etc.) in insulated facades of buildings with minimal insulation layer thickness of 80 mm
- suitable for common types of contact insulation (facade polystyrene, mineral wool)
- possibility of installation in already insulated facades
- possibility of constant load up to 15 N
- MDFZ 80 - set of mounting plate containing screw carrier and box
- MDFZ 80/VDZ - set of mounting plate containing an additional reusable tool required for drilling into the insulation and mounting the carrier



INSTRUCTIONS

- a protective frame is attached to the insulated façade at the location of the future device using thin nails or screws
- it is necessary to break the facade and the synthetic mesh reinforcement with a cutting tool around the inner perimeter of the protective frame
- the enclosed hand drilling tool is used to drill to the depth marked on the tool
- after removing the drilled part of the insulation and removing the protective frame, the carrier is screwed into the hole
- the mounting plate is inserted into the screwed carrier and anchored with the screws from the package

**VIDEO
GUIDE**

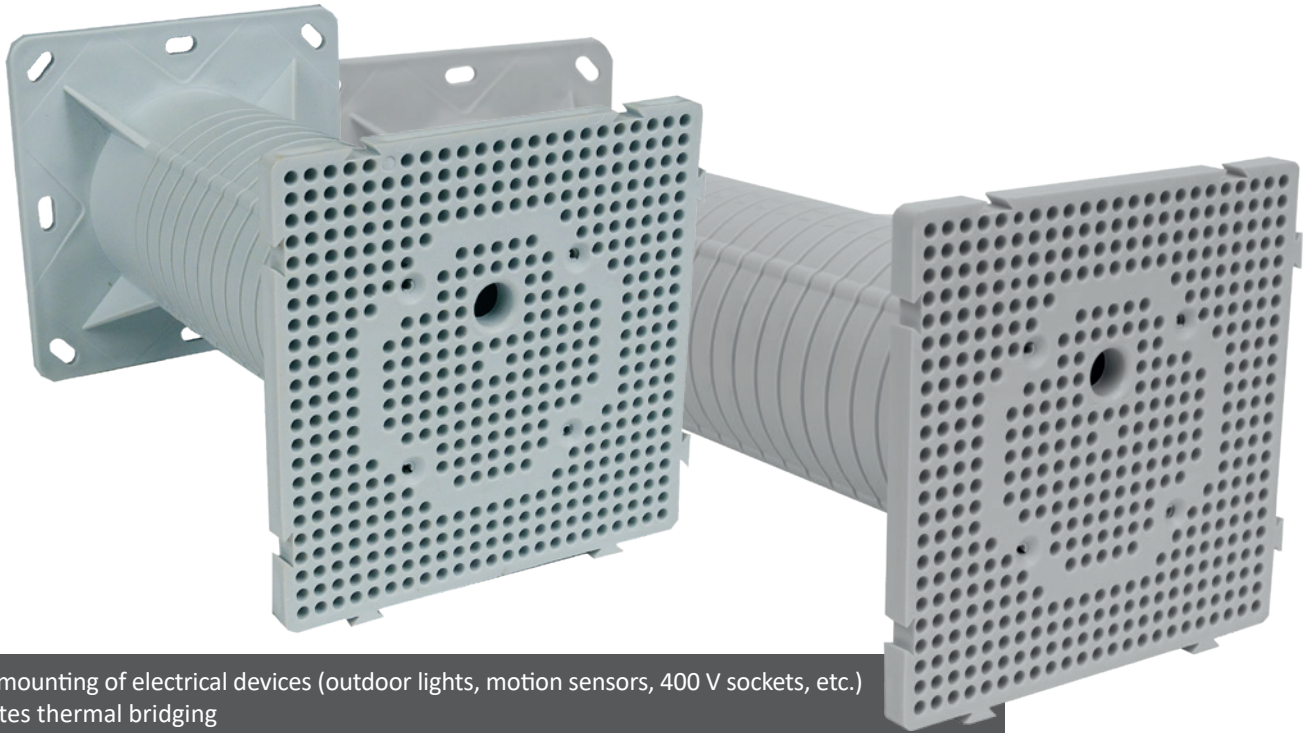




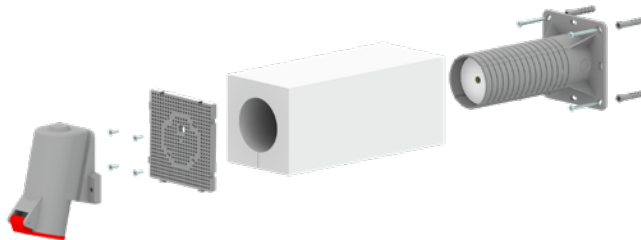
MDZ, MDZ 300



mounting plate into thermal insulation



- for the mounting of electrical devices (outdoor lights, motion sensors, 400 V sockets, etc.)
- eliminates thermal bridging
- suitable for common types of contact insulation (facade polystyrene, mineral wool)
- MDZ - mounting of devices into insulating layer thickness 50 - 200 mm
- MDZ 300 - mounting of devices into insulating layer thickness 50 - 300 mm
- load of 40 N at a distance of 180 mm from the wall
- possibility to create a larger plate by using more mounting plates
- package contains: supporting tube, mounting plate, blinding cover, internal and external insulation, screws
- plate dimensions 119 x 119 mm



INSTRUCTIONS

- mounting takes place during the installation of insulation
- it is necessary to cut the carrier and included insulation to the required length before mounting, according to the thickness of the insulating layer
- the carrier is fixed to the wall with screws and dowels according to the type of masonry
- the cable is routed through the carrier and the shortened insulation is inserted
- using 4 screws, mounting plate is attached to the carrier, in which the final assembly is performed

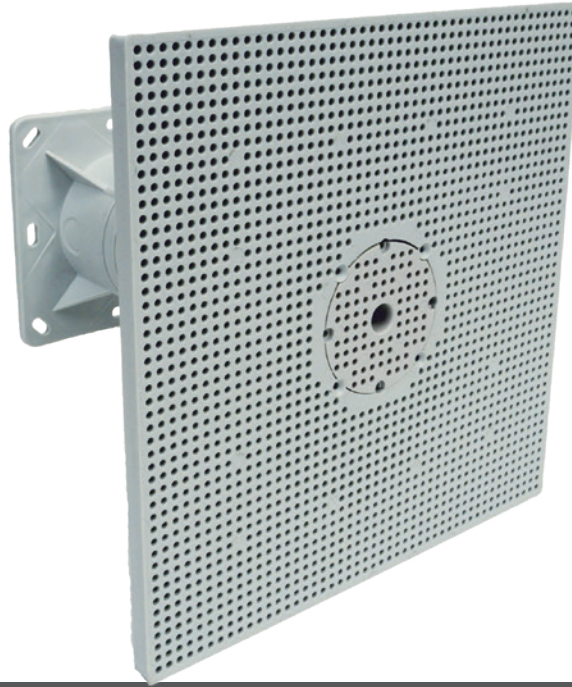
**VIDEO
GUIDE**



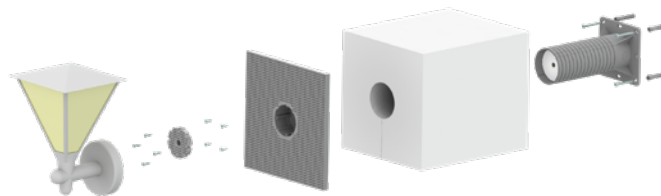


MDZ XL, MDZ XL 300

mounting plate into thermal insulation



- for mounting of electrical devices (outdoor lights, motion sensors, 400 V sockets, etc.)
- eliminates thermal bridging
- suitable for common types of contact insulation (facade polystyrene, mineral wool)
- MDZ XL - mounting of devices into insulating layer thickness 50 - 200 mm
- MDZ XL 300 - mounting of devices into insulating layer thickness 50 - 300 mm
- load of 40 N at a distance of 180 mm from the wall
- includes integrated box designed for use with terminals
- package contains: supporting tube, mounting plate, blinding cover, internal and external insulation, screws
- plate dimensions 238 x 238 mm



**VIDEO
GUIDE**



INSTRUCTIONS

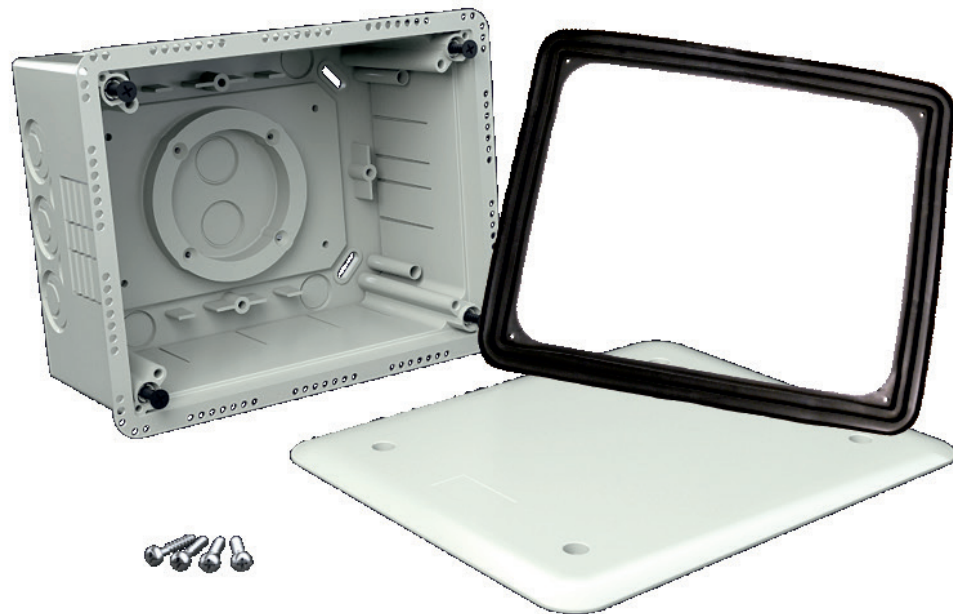
- mounting takes place during the installation of insulation
- it is necessary to cut the carrier and included insulation to the required length before mounting, according to the thickness of the insulating layer
- the carrier is fixed to the wall with screws and dowels according to the type of masonry
- the cable is routed through the carrier and the shortened insulation is inserted
- using 4 screws, mounting plate is attached to the carrier, in which the final assembly is performed



KUZ-V



universal box for more than just insulation



- designed for mounting under the parget into gypsum or for direct mounting into insulating materials while coating building with insulation
- configurable height of boxes with range from 85 up to 140 mm to fit every specific solution
- box dimensions 196x156x85 mm (196x156x140 mm)
- fixed lid with stainless screws



**VIDEO
GUIDE**





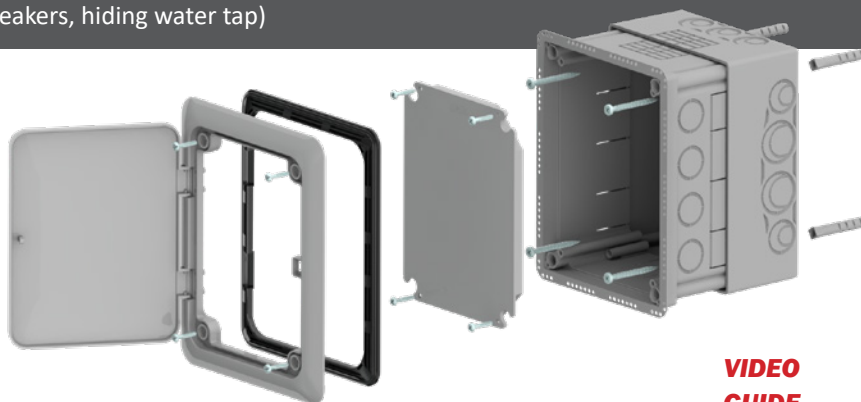
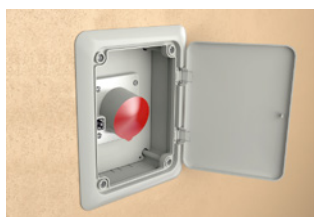
IP44

KUZ-VO

universal box for more than just insulation



- designed for mounting under the parget into gypsum or for direct mounting into insulating materials while coating building with insulation
- configurable height of boxes with range from 85 up to 140 mm to fit every specific solution
- box dimensions 196x156x85 mm (196x156x140 mm)
- openable lid (opening without tool, fitted with special spring and „click clack“ lock)
- suitable for mounting device under the surface of facades (switches, power sockets, 400V sockets, breakers, hiding water tap)



**VIDEO
GUIDE**

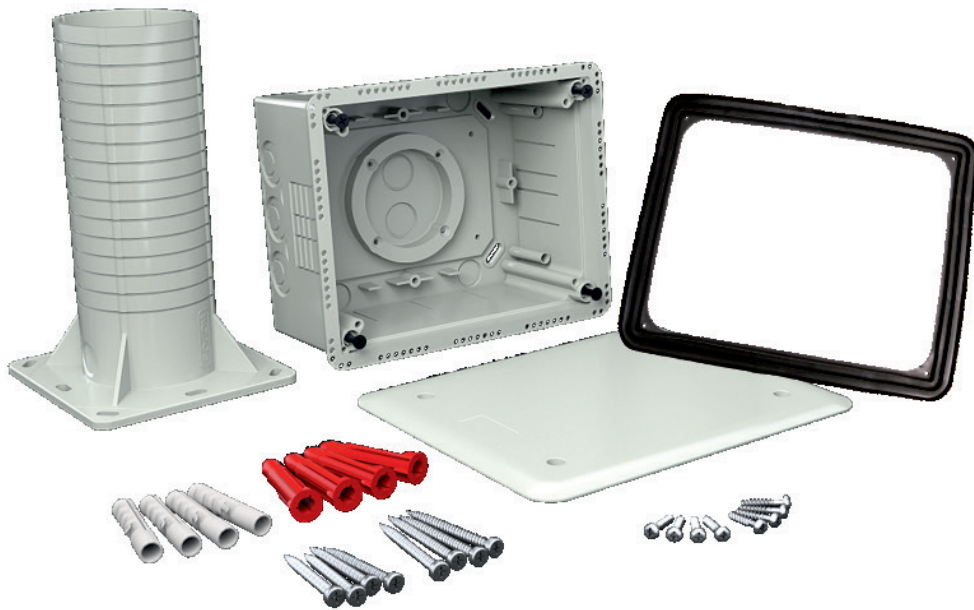




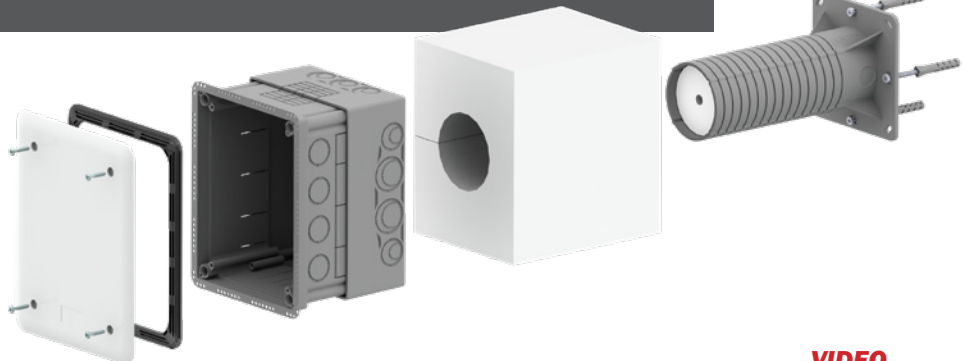
KUZ-VI



universal box for more than just insulation



- mounting into insulating systems
- configurable height of boxes with range from 85 up to 140 mm to fit every specific solution
- box dimensions 196x156x85 mm (196x156x140 mm)
- fixed lid with stainless screws
- the set contains supporting tube, internal and external insulation, mounting set
- to be used in insulated facades of buildings with a thickness from 120 mm up to 330 mm.
- eliminates thermal bridging



**VIDEO
GUIDE**



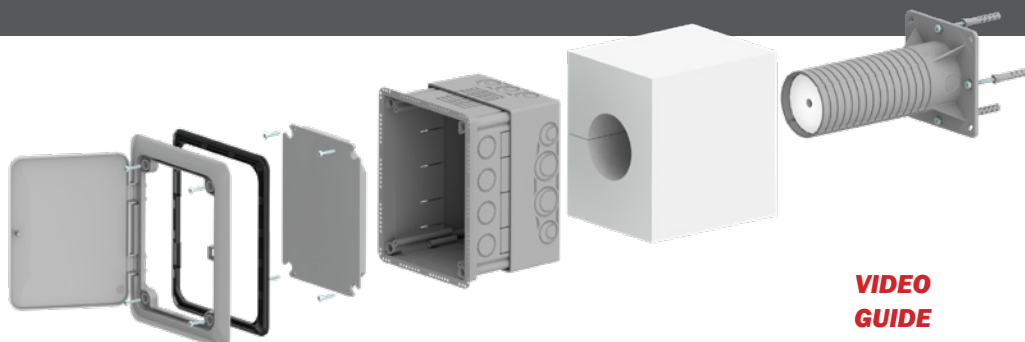
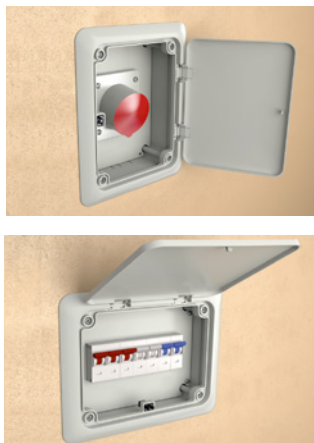


KUZ-VOI

universal box for more than just insulation



- mounting into insulating systems
- configurable height of boxes with range from 85 up to 140 mm to fit every specific solution
- box dimensions 196x156x85 mm (196x156x140 mm)
- openable lid (opening without tool, fitted with special spring and „click clack“ lock)
- the set contains supporting tube, internal and external insulation, mounting set
- to be used in insulated facades of buildings with a thickness from 120 mm up to 330 mm
- eliminates thermal bridging
- suitable for mounting device under the surface of facades (switches, power sockets, 400V sockets, breakers, hiding water tap)



**VIDEO
GUIDE**



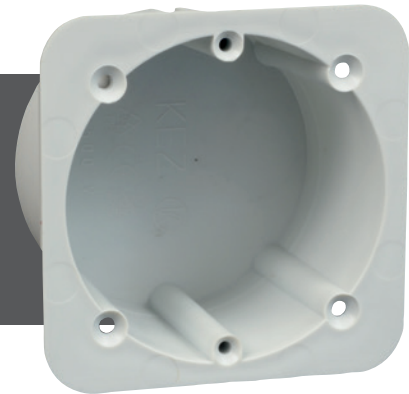


SPARE PARTS

ND KEZ



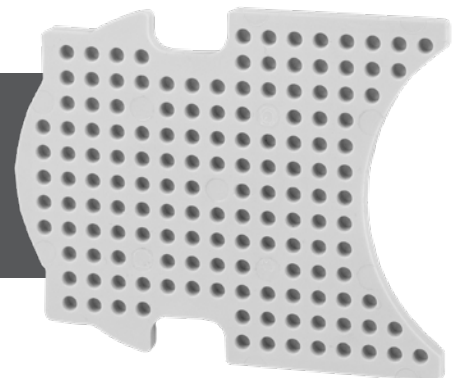
- the spare part for wiring box for thermal insulation is an individual wiring box, usually supplied with the KEZ set
- the box must be used in combination with the supporting tube only by means of standard assembly procedure
- the separate use of this spare part without the supporting tube is not possible
- four self-tapping screws for fixing the box to the tube are supplied with the spare part



ND KEZ-3/Z



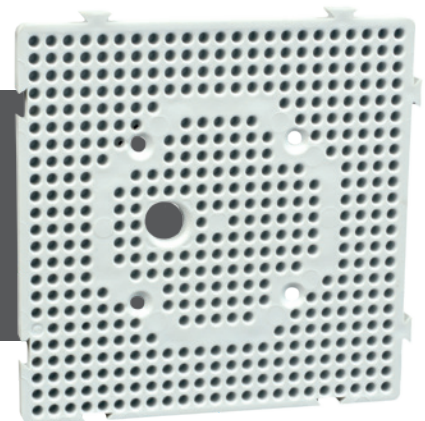
- spare part KEZ-3/Z is a separate blanking plug, which is usually supplied in KEZ-3 set of box for insulation
- the blanking plug must be used only for the purposes described in the installation instructions for the KEZ-3 box, therefore for blinding one or both end positions of the KEZ-3 box
- the blanking plug is not load-bearing, it is only used to blind the edge positions



ND MDZ

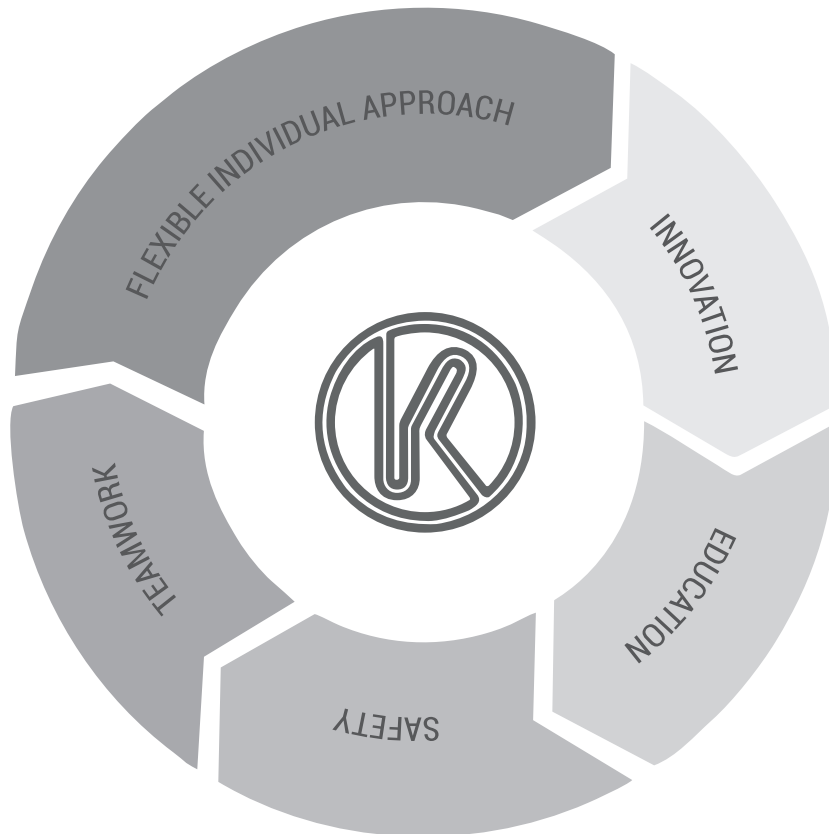


- the spare part mounting desk for thermal insulation is an individual plate, usually supplied with the MDZ and/or MDZ 300 set
- the plate must be used in combination with the supporting tube only, by means of standard assembly procedure
- the separate use of this spare part without the supporting tube is not possible
- four self-tapping screws for fixing the plate to the tube are supplied with the spare part





COMPANY POLICY



INNOVATION

We continuously search for new ways leading to technology and products improvements.

FLEXIBLE AND INDIVIDUAL APPROACH

Our customers enjoy the complex service and their requirements are solved individually. We are building a strong and long-term business partnership.

RESPECT

We respect people as individualities. We pursue open dialogue and a common solutions. Gentleness and helpfulness promote good relationships.

TEAMWORK

We recognize the fact that each employee contributes to the company growth; only motivated and cooperating teams become successful and continuously achieve the goals.

EDUCATION

Expertise and skill enhancement are an integral part of the company strategy.

SAFETY

Environmental protection, occupational safety and health are a requirements embedded in all our company activities. We comply with the strict standards of ethics and work control.



KOPOS KOLÍN a.s.
Havlíčková 432
280 02 Kolín IV
Czech Republic

tel.: +420 321 730 111
e-mail: kopos@kopos.cz
www.kopos.cz

