



KOPOS



KOPOBOX®



# YOU STAND FOR OUR SUCCESS.

New technologies guarantee the improvement and innovation of our products. For you.





# KOPOBOX®

The KOPOBOX® system is designed for electrical installations in the floors of office buildings and other residential buildings. Its construction allows installation in solid concrete floors, but also to double floors, formed by separate segments. The interconnection of individual boxes provides the possibility to expand the installation in the future, which is advantageous with regard to the constant development of modern technologies and the related needs of electricity and data supply. By choosing the individual products of the KOPOBOX® system, we can choose between fitting the boxes with classic devices or devices modular for power and data connections. Equally easy is the choice of installation range, which is selectable from 6 to 12 electrical connection devices. An integrated seal in the flaps for the connected cables prevents dust from entering the box. For straight appliance forks, it is advantageous to use a system with devices oriented vertically, as this ensures a permanent closing of the box. This, of course, contributes to the cleanliness and thus the safety of the system, which its construction is designed so that it is always closed when the appliances are connected.

For even easier expansion of the electrical installation in the future, it is possible to use a pulling box, which is designed for easier pulling of additionally installed cables. In its place, a full-fledged box from the KOPOBOX® system can later be installed and fitted to the device as required.

The KOPOBOX MINI system can also be used to install devices in parapet channels, walls or hollow structures. It is an elegant alternative wherever we want outlets hidden and used only in the KOPOBOX MINI system when the appliances are connected.



VIDEO  
GUIDE





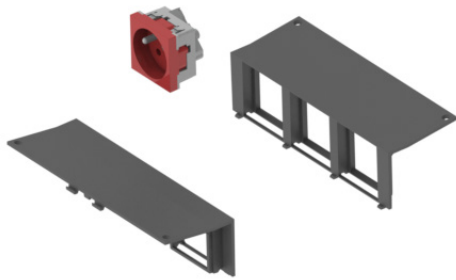
KOPOS

KOPOBOX®

# KOPOBOX® for concrete floors

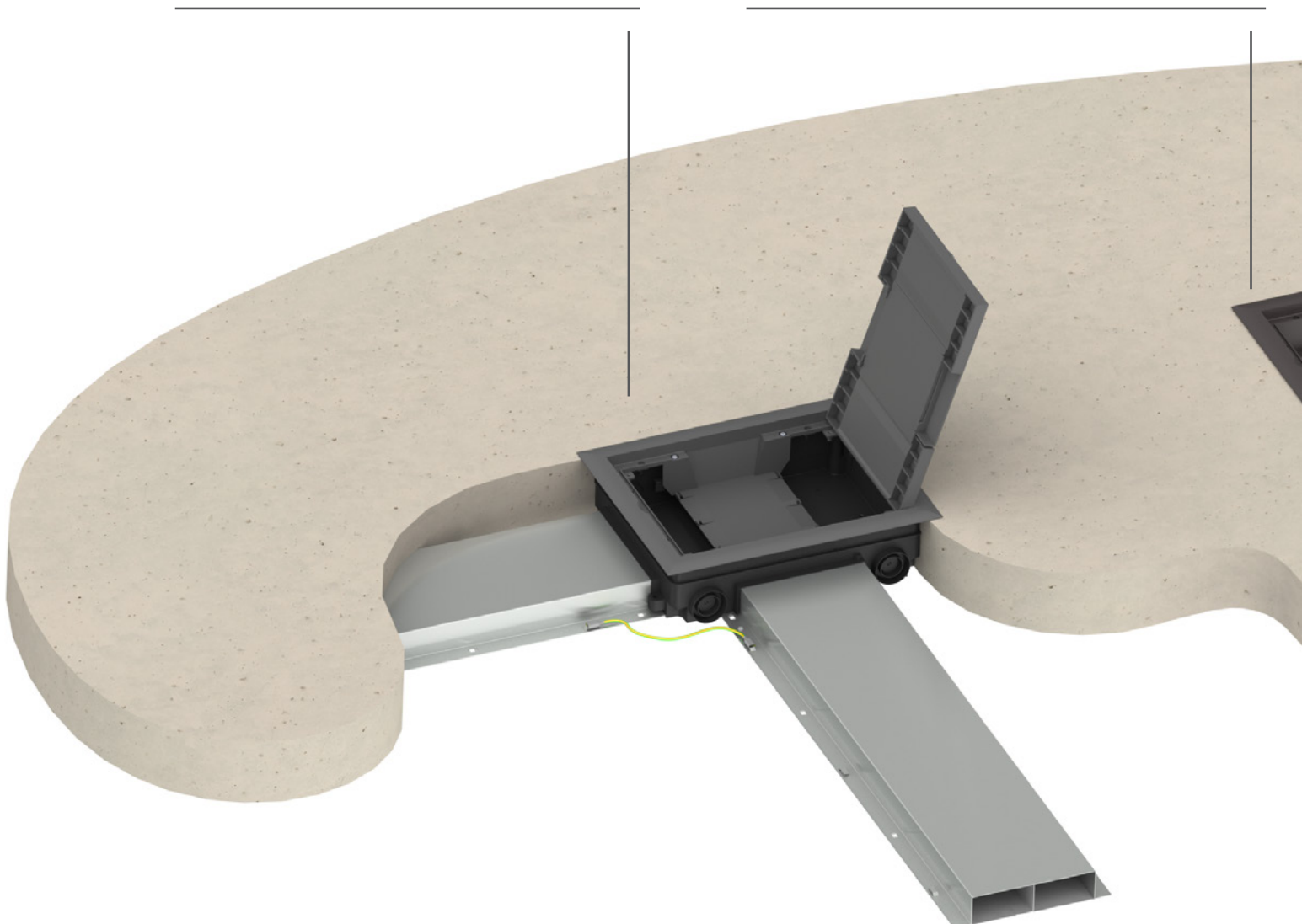
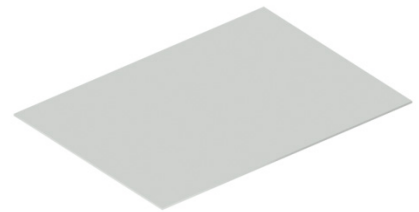
## KOPOBOX® 57

up to 6 modular devices  
*page 6*



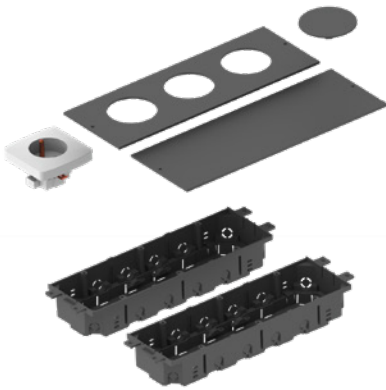
## PP 80/K-5

blind lid  
*page 14*

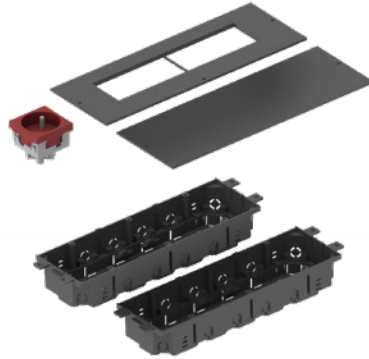




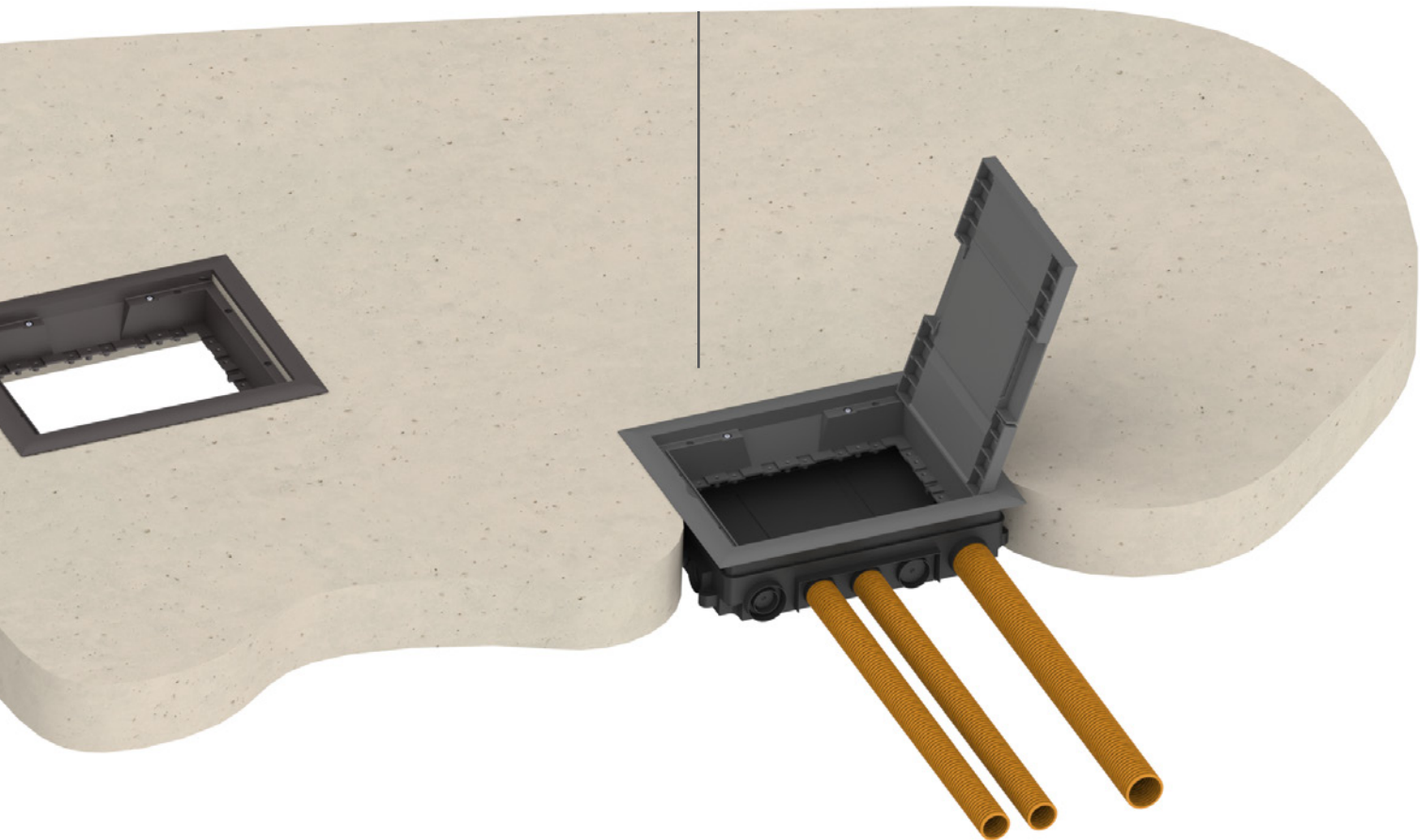
**KOPOBOX® 80**  
up to 6 classic devices  
*page 8*



**KOPOBOX® 80**  
up to 8 modular devices  
*page 10*



**KOPOBOX® 80**  
up to 12 modular devices  
*page 12*





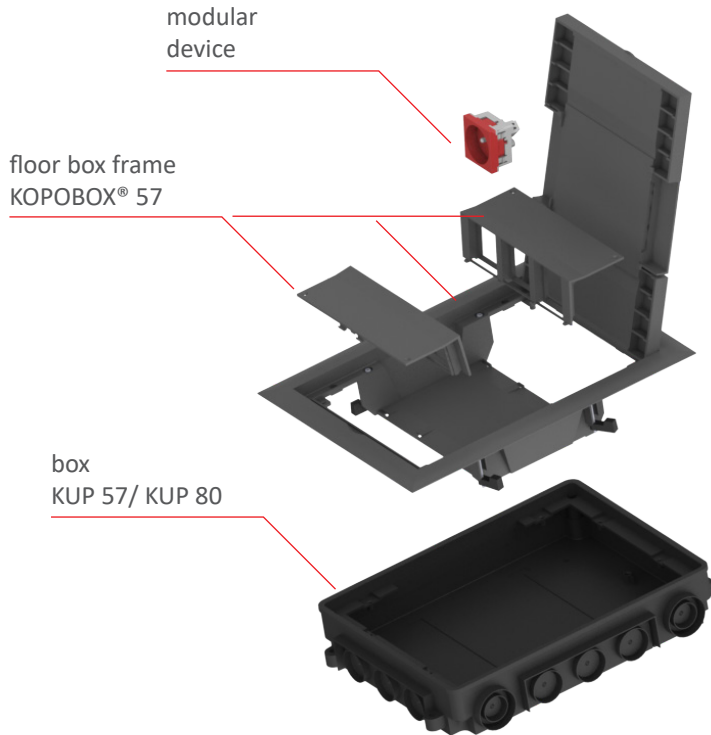
KOPOS

KOPOBOX®

# KOPOBOX® 57 for concrete floors



Floor box assembly for up to 6 modular devices



The KOPOBOX® 57 floor box is a complete set enabling simple and fast assembly of up to six modular 45x45 mm devices into concrete floors. The floor box KUP 57 or KUP 80 is placed in the concrete layer, the depth of which can be set in the range from 57 to 95 mm. In the case of a higher concrete layer, the SN leveling set can be used, which can increase the anchorage of the KUP base box by up to 35 mm. The advantage of KOPOBOX® 57 floor boxes is their small installation depth. The need for only 57 mm ranks these boxes among the shallowest floor boxes on the market. In addition, the appropriate arrangement of the devices allows the installation of cables with straight forks, which in other systems do not allow the lid to close. A floor covering is inserted into the lid of the floor box to unify the appearance with the surroundings. The closed box is walkable, can be loaded up to 150 kg and has IP 30 protection.





## Assembly parts



### KOPOBOX® 57 - floor box frame

The self-supporting frame of the KOPOBOX® 57 floor box is used in combination with the KUP 57 or KUP 80 floor box in concrete floors and allows the installation of up to six modular 45x45 mm devices. The lid is reinforced with a support plate to increase mechanical strength. KOPOBOX® 57 is available in dark gray RAL 7012.



### KUP - universal floor box

The universal floor box KUP 57 and KUP 80 is designed for concrete floors. It forms a base box, which is installed with a KOPOBOX® 57 frame after the concrete has hardened. The advantage of the KUP 57 box is the possibility of continuous depth adjustment in the range of 57 to 75 mm, with the KUP 80 box its range is 80 to 95 mm. The individual KUP boxes are connected using electrical installation pipes or PUK 38X150 S1 floor trunkings.



### SN - leveling set

The SN leveling set is an optional accessory to the KUP universal floor boxes. It allows to increase the anchorage height of the floor box depending on the height of the concrete screed by up to 35 mm. The SN set contains 4 pieces of adjustable elements (for each corner of the KUP box).



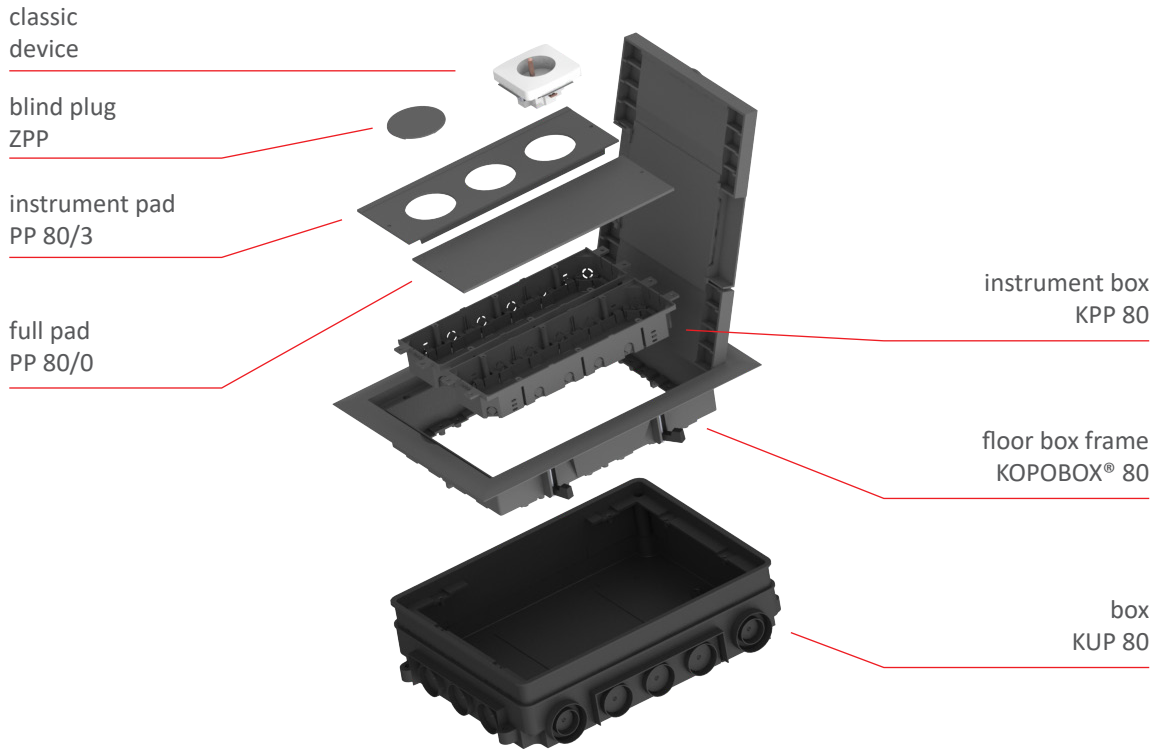
KOPOS

KOPOBOX®

# KOPOBOX® 80 for concrete floors



Floor box set for up to **6** classic devices



The KOPOBOX® 80 floor frame is the basis of a modifiable floor box, which can be used for both modular and classic devices. The selection of the type of installed devices and their quantity is made by selecting the device pads in this frame. Thanks to this, we can have the KOPOBOX® 80 floor box equipped with up to six classic devices (without frames), or eight to twelve modular devices. The installation is carried out in concrete floors with a layer from 80 to 95 mm. In the case of a higher concrete layer, the SN leveling set can be used, which can increase the anchorage of the KUP base box by up to 35 mm. The fitted KOPOBOX® 80 floor box is suitable for angled forks. A floor covering is inserted into the lid of the floor box to unify the appearance with the surroundings. The closed box is walkable, can be loaded up to 150 kg and has IP 30 protection.







## Assembly parts



### KOPOBOX® 80 - floor box frame

The self-supporting frame of the KOPOBOX® 80 floor box is used in combination with the KUP 80 floor box in concrete floors and allows the installation of up to six classic devices without frames. The lid is reinforced with a support plate to increase mechanical strength. KOPOBOX® 80 is available in dark gray RAL 7012.



### KUP 80 - universal floor box

The universal floor box KUP 80 is designed for concrete floors. It forms the underlying box, which is after the hardening of the concrete is fitted with a KOPOBOX® 80 frame. The advantage of this box is the possibility of continuously adjusting its depth in the range of 80 to 95 mm. The individual boxes are connected using electrical installation pipes or floor trunkings PUK 38X150 S1.



### KPP 80 - floor instrument box

Universal instrument box for mounting in a KOPOBOX® 80 box (max. 2 pcs). Instrument screws, cable clamp screws and cable clamps are included in the package. The depth of the box is adjustable by changing the position of the bottom.



### PP 80/3 - instrument pad

Pad for mounting up to 3 pieces of classic devices without frames.

### PP 80/0 - instrument pad

Full pad to cover the unmounted part of the KOPOBOX® box.



### ZPP - blind plug

The ZPP blind plug is an accessory to the PP 80/3 instrument pads and allows one or more instrument openings to be blinded individually. The individual unoccupied holes are blinded by a simple click without the use of any tools.



### SN - leveling set

The SN leveling set is an optional accessory to the KUP universal floor boxes. It allows to increase the anchorage height of the floor box depending on the height of the concrete screed by up to 35 mm. The SN set contains 4 pieces of adjustable elements (for each corner of the KUP box).



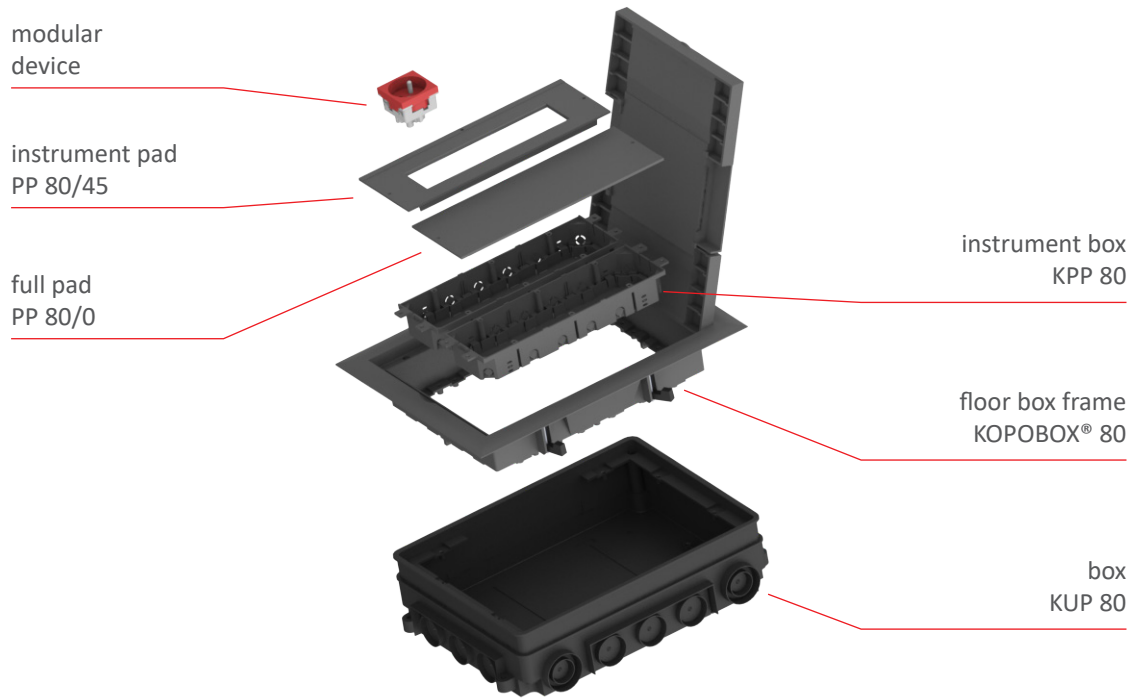
KOPOS

KOPOBOX®

# KOPOBOX® 80 for concrete floors



Floor box assembly for up to **8** modular devices



The KOPOBOX® 80 floor frame is the basis of a modifiable floor box, which can be used for both modular and classic devices. The selection of the type of installed devices and their quantity is made by selecting the device pads in this frame. Thanks to this, we can have the KOPOBOX® 80 floor box equipped with up to six classic devices (without frames), or eight to twelve modular devices. The installation is carried out in concrete floors with a layer from 80 to 95 mm. In the case of a higher concrete layer, the SN leveling set can be used, which can increase the anchorage of the KUP base box by up to 35 mm. The fitted KOPOBOX® 80 floor box is suitable for angled forks. A floor covering is inserted into the lid of the floor box to unify the appearance with the surroundings. The closed box is walkable, can be loaded up to 150 kg and has IP 30 protection.





## Assembly parts



### KOPOBOX® 80 - floor box frame

The self-supporting frame of the KOPOBOX® 80 floor box is used in combination with the KUP 80 floor box in concrete floors and allows the installation of up to 8 modular devices measuring 45x45 mm. The lid is reinforced with a support plate to increase mechanical strength. KOPOBOX® 80 is available in dark gray color RAL 7012.



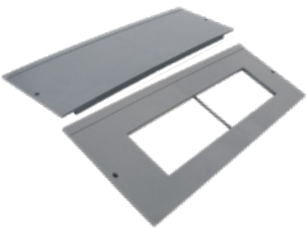
### KUP 80 - universal floor box

The universal floor box KUP 80 is designed for concrete floors. It forms the underlying box, which is after the hardening of the concrete is fitted with a KOPOBOX® 80 frame. The advantage of this box is the possibility of continuously adjusting its depth in the range of 80 to 95 mm. The individual boxes are connected using electrical installation pipes or floor trunkings PUK 38X150 S1.



### KPP 80 - floor instrument box

Universal instrument box for mounting in a KOPOBOX® 80 box (max. 2 pcs). Instrument screws, cable clamp screws and cable clamps are included in the package. The depth of the box is adjustable by changing the position of the bottom.

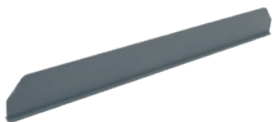


### PP 80/45 - instrument pad

Pad for mounting up to 4 pieces of QUADRO modular devices, or devices of identical construction.

### PP 80/0 - instrument pad

Full pad to cover the unmounted part of the KOPOBOX® box.



### PKUP - partition wall

The PKUP partition can be used to divide the interior of the KOPOBOX® 80 box.



### SN - leveling set

The SN leveling set is an optional accessory to the KUP universal floor boxes. It allows to increase the anchorage height of the floor box depending on the height of the concrete screed by up to 35 mm. The SN set contains 4 pieces of adjustable elements (for each corner of the KUP box).



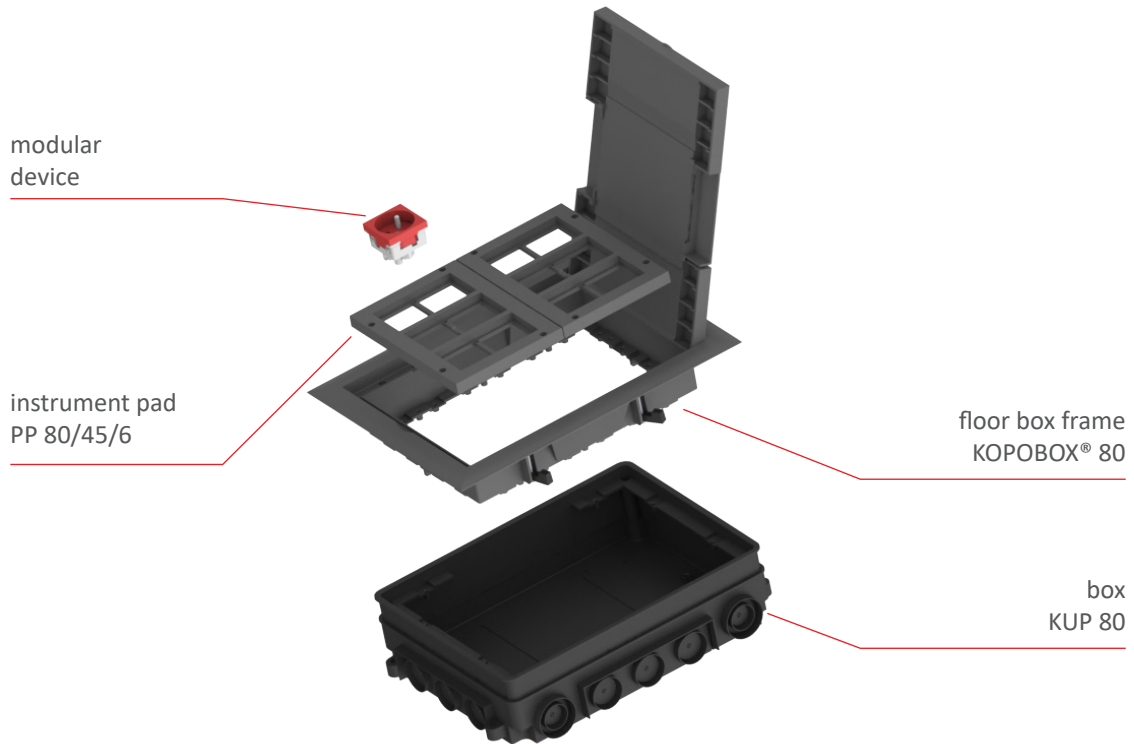
KOPOS

KOPOBOX®

# KOPOBOX® 80 for concrete floors



Floor box assembly for up to **12** modular devices



The KOPOBOX® 80 floor frame is the basis of a modifiable floor box, which can be used for both modular and classic devices. The selection of the type of installed devices and their quantity is made by selecting the device pads in this frame. Thanks to this, we can have the KOPOBOX® 80 floor box equipped with up to six classic devices (without frames), or eight to twelve modular devices. The installation is carried out in concrete floors with a layer from 80 to 95 mm. In the case of a higher concrete layer, the SN leveling set can be used, which can increase the anchorage of the KUP base box by up to 35 mm. The fitted KOPOBOX® 80 floor box is suitable for angled forks. A floor covering is inserted into the lid of the floor box to unify the appearance with the surroundings. The closed box is walkable, can be loaded up to 150 kg and has IP 30 protection.





## Assembly parts



### KOPOBOX® 80 - floor box frame

The self-supporting frame of the KOPOBOX® 80 floor box is used in combination with the KUP 80 floor box in concrete floors and allows the installation of up to 12 modular devices measuring 45x45 mm. The lid is reinforced with a support plate to increase mechanical strength. KOPOBOX® 80 is available in dark gray color RAL 7012.



### KUP 80 - universal floor box

The universal floor box KUP 80 is designed for concrete floors. It forms the underlying box, which is after the hardening of the concrete is fitted with a KOPOBOX® 80 frame. The advantage of this box is the possibility of continuously adjusting its depth in the range of 80 to 95 mm. The individual boxes are connected using electrical installation pipes or floor trunkings PUK 38X150 S1.



### PP 80/45/6 - instrument pad

The PP 80/45/6 instrument pad is installed directly into the frame of the KOPOBOX® 80 floor box without the installation of KPP 80 boxes.



### SN - leveling set

The SN leveling set is an optional accessory to the KUP universal floor boxes. It allows to increase the anchorage height of the floor box depending on the height of the concrete screed by up to 35 mm. The SN set contains 4 pieces of adjustable elements (for each corner of the KUP box).



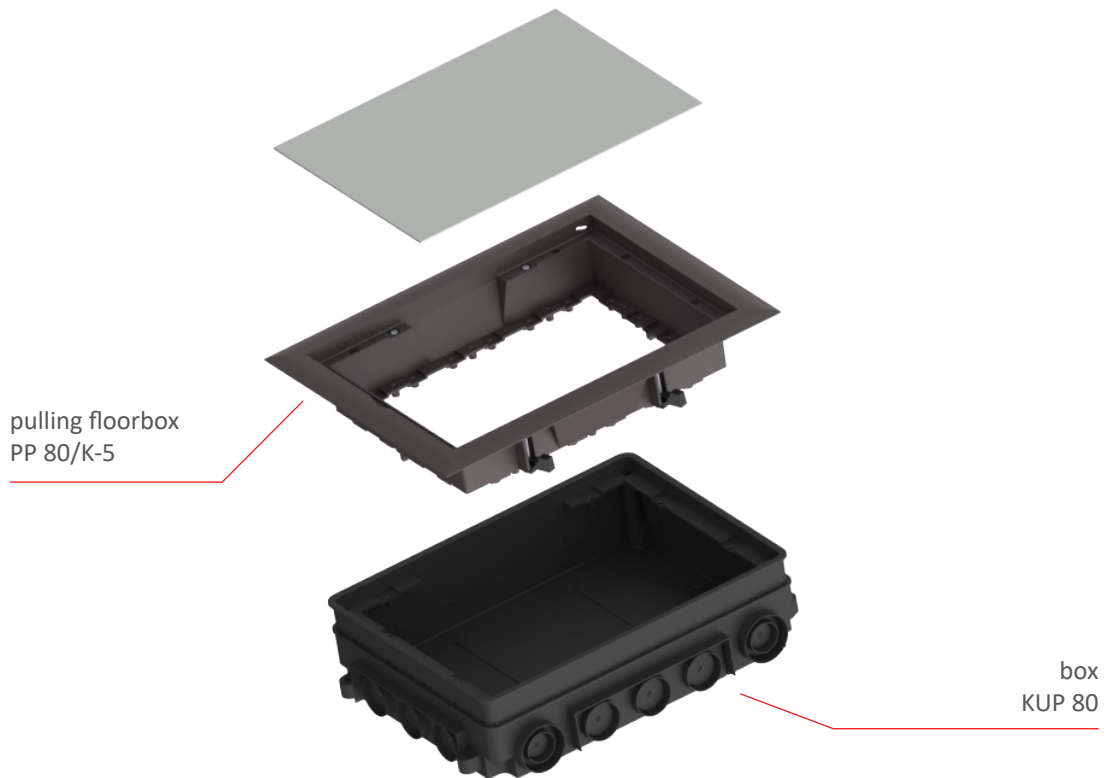
KOPOS

KOPOBOX®

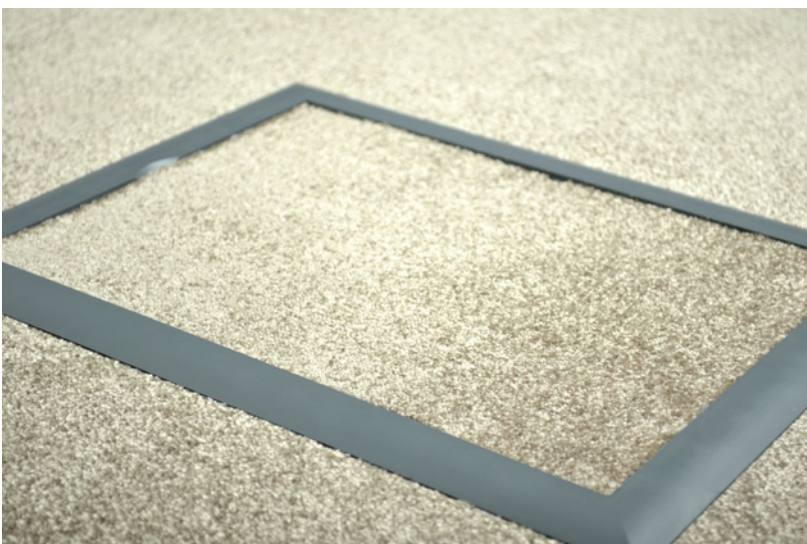
## PP 80/K-5 for concrete floors



Pulling floor box assembly (blind lid)



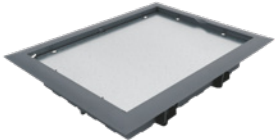
The pulling floor box assembly is installed in a universal box KUP 80 suitable for concrete floors with a layer from 80 to 95 mm. In the case of a higher concrete layer, the SN leveling set can be used, which can increase the anchorage of the KUP base box by up to 35 mm. The assembly is used for easy cable routing. After installing the cover plate, the box is walkable and can be loaded up to 150 kg. A floor covering is inserted into the frame of the pulling box to unify the appearance with the surroundings. If the installation needs to be expanded in the future, it is possible to additionally install one of the other KOPOBOX® series systems in place of the assembly.





## Assembly parts

### PP 80/K-5 - floor box frame



The pulling floor box (blind lid) is used for easy pulling of the electrical installation. It can also be used for subsequent installation of the system with devices. The frame is reinforced with a support plate to increase mechanical strength.



### KUP 80 - universal floor box

The universal floor box KUP 80 is designed for concrete floors. It forms the underlying box, which is after the hardening of the concrete is fitted with a KOPOBOX® 80 frame. The advantage of this box is the possibility of continuously adjusting its depth in the range of 80 to 95 mm. The individual boxes are connected using electrical installation pipes or floor ducts PUK 38X150 S1.



### SN - leveling set

The SN leveling set is an optional accessory to the KUP universal floor boxes. It allows to increase the anchorage height of the floor box depending on the height of the concrete screed by up to 35 mm. The SN set contains 4 pieces of adjustable elements (for each corner of the KUP box).



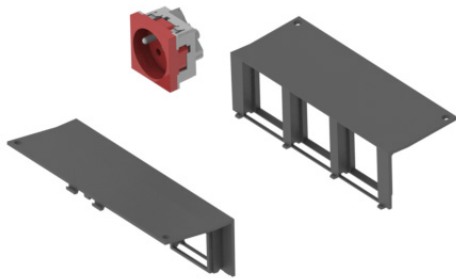
KOPOS

KOPOBOX®

# KOPOBOX® for double floors

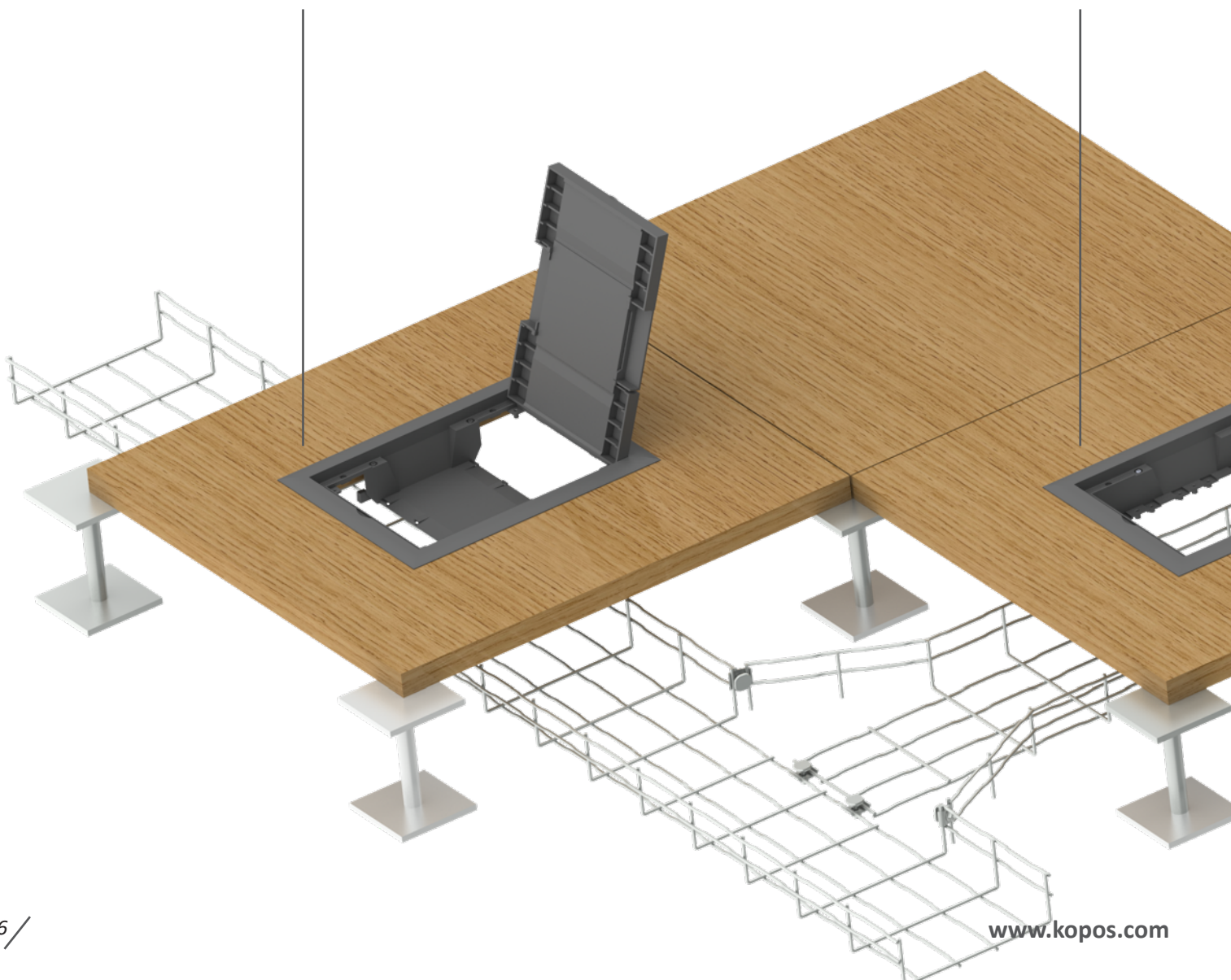
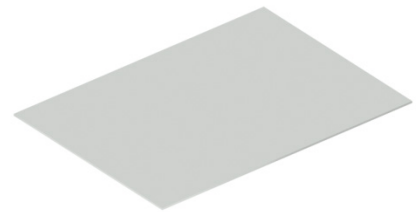
## KOPOBOX® 57

up to 6 modular devices  
page 18



## PP 80/K-5

blind lid  
page 22







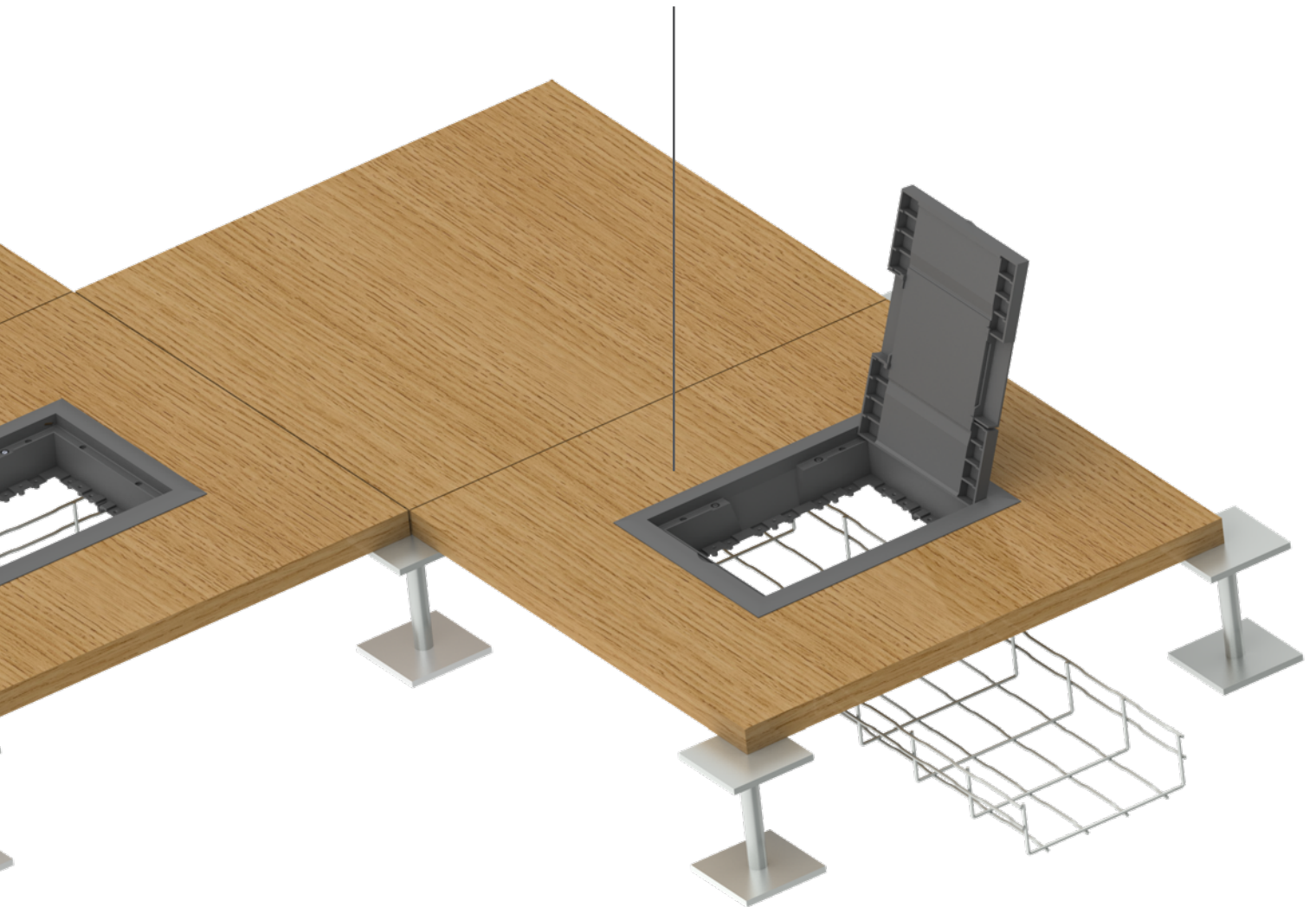
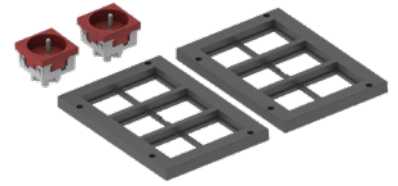
**KOPOBOX® 80**  
up to 6 classic devices  
*page 19*



**KOPOBOX® 80**  
up to 8 modular devices  
*page 20*



**KOPOBOX® 80**  
up to 12 modular devices  
*page 21*





KOPOS

KOPOBOX®

## KOPOBOX® 57 for double floors



Floor box assembly for up to 6 modular devices



The KOPOBOX® 57 floor box is a complete set enabling simple and fast assembly of up to six modular 45x45 mm devices. The installation is performed in a hole 218x288 mm created in a double floor with a floorboard thickness of 10-40 mm. In addition, the appropriate arrangement of the devices allows the installation of cables with straight forks, which in other systems do not allow the lid to close. A floor covering is inserted into the lid of the floor box to unify the appearance with the surroundings. The closed box is walkable, it can be loaded into 150 kg and has IP 30 protection.



### KOPOBOX® 57 - floor box frame

The self-supporting frame of the KOPOBOX® 57 floor box is installed directly into the opening in the double floors measuring 218x288 mm and allows the installation of up to six modular 45x45 mm devices. No additional accessories are required for installation. Fixing with feet is possible for floor thicknesses from 10 to 40 mm. The lid is reinforced with a support plate to increase mechanical strength. KOPOBOX® 57 is available in dark gray RAL 7012.



# KOPOBOX® 80 for double floors



Floor box set for up to 6 classic devices



The KOPOBOX® 80 floor frame is the basis of a modifiable floor box, which can be used for both modular and classic devices. The selection of the type of installed devices and their quantity is made by selecting the device pads in this frame. Thanks to this, we can have the KOPOBOX® 80 floor box equipped with six classic devices (without frames), or eight to twelve modular devices. The installation is performed in a hole 218x288 mm created in the double floor with a floorboard thickness of 10-40 mm. The fitted KOPOBOX® 80 floor box is suitable for angled forks. A floor covering is inserted into the lid of the floor box to unify the appearance with the surroundings. The closed box is walkable, can be loaded up to 150 kg and has IP 30 protection.

## KOPOBOX® 80 - floor box frame



The self-supporting frame of the KOPOBOX® 80 floor box is fitted with PP 80/3 instrument pads, enabling the installation of up to 6 classic devices without frames. If it is necessary to create a reserve for future electrical installation, it is possible to blind one half of the box with a PP 80/0 pad, or to use a ZPP blind plug. The lid is reinforced with a support plate to increase mechanical strength. KOPOBOX® 80 is available in dark gray RAL 7012.



## PP 80/... - instrument pads

The instrument pads, together with the KPP 80 instrument boxes, are installed in the frame of the KOPOBOX® 80 floor box. The advantage of this solution is the possibility to choose between modular and classic devices. The floor frame is first fitted with two KPP 80 instrument boxes and an instrument pad for classic PP 80/3 instruments is used. In the case of creating a reserve for future electrical installation, it is possible to blind the entire KPP 80 instrument box using a PP 80/0 pad.

## KPP 80 - floor instrument box



Universal instrument box for mounting in a KOPOBOX® 80 box (max. 2 pcs). Instrument screws, cable clamp screws and cable clamps are included in the package. The depth of the box is adjustable by changing the position of the bottom.



## ZPP - blind plug

The ZPP blind plug is an accessory to the PP 80/3 instrument pads and allows one or more instrument openings to be blinded individually. The individual unoccupied holes are blinded by a simple click without the use of any tools.



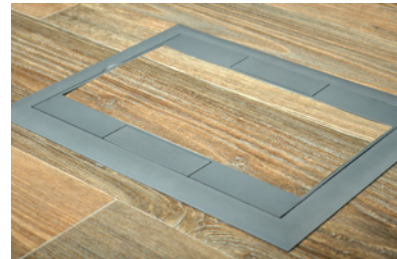
KOPOS

KOPOBOX®

# KOPOBOX® 80 for double floors



Floor box assembly for up to 8 modular devices



The KOPOBOX® 80 floor frame is the basis of a modifiable floor box, which can be used for both modular and classic devices. The selection of the type of installed devices and their quantity is made by selecting the device pads in this frame. Thanks to this, we can have the KOPOBOX® 80 floor box equipped with up to eight or up to twelve modular devices, or up to six classic devices (without frames). The KOPOBOX® 80 frame itself is already fitted with mounting screws and feet for installation in the double floors. The fitted KOPOBOX® 80 floor box is suitable for angled forks. It is possible to insert a part of the floor covering for the floor box lid unification of appearance with the environment. The closed box is walkable, can be loaded up to 150 kg and has IP 30 protection.

### KOPOBOX® 80 - floor box frame



The self-supporting frame of the KOPOBOX® 80 floor box is fitted with PP 80/45 instrument pads, enabling me to install up to 8 modular devices measuring 45x45 mm. If it is necessary to create a reserve for future electrical installation, it is possible to blind one half of the box with a PP 80/0 pad, or to use a ZPP blind plug. The lid is reinforced with a support plate to increase mechanical strength. KOPOBOX® 80 is available in dark gray RAL 7012.



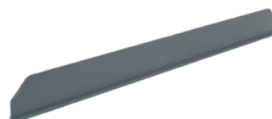
### PP 80/... - instrument pads

The instrument pads, together with the KPP 80 instrument boxes, are installed in the frame of the KOPOBOX® 80 floor box. The advantage of this solution is the possibility to choose between modular and classic devices. The floor frame is first fitted with two KPP 80 instrument boxes and an instrument pad for classic PP 80/3 instruments is used. In the case of creating a reserve for future electrical installation, it is possible to blind the entire KPP 80 instrument box using a PP 80/0 pad.

### KPP 80 - floor instrument box



Universal instrument box for mounting in a KOPOBOX® 80 box (max. 2 pcs). Instrument screws, cable clamp screws and cable clamps are included in the package. The depth of the box is adjustable by changing the position of the bottom.



### PKUP - partition wall

It is used to divide the inner space of the KOPOBOX® 80 box.



# KOPOBOX® 80 for double floors



Floor box assembly for up to **12** modular devices



The KOPOBOX® 80 floor frame is the basis of a modifiable floor box, which can be used for both modular and classic devices. The selection of the type of installed devices and their quantity is made by selecting the device pads in this frame. Thanks to this, we can have the KOPOBOX® 80 floor box equipped with up to eight or up to twelve modular devices, or up to six classic devices (without frames). The KOPOBOX® 80 frame itself is already fitted with mounting screws and feet for installation in the double floors. The fitted KOPOBOX® 80 floor box is suitable for angled forks. It is possible to insert a part of the floor covering for the floor box lid unification of appearance with the environment. The closed box is walkable, can be loaded up to 150 kg and has IP 30 protection.



**KOPOBOX® 80 - floor box frame**

The self-supporting frame of the KOPOBOX® 80 floor box is fitted with PP 80/45/6 instrument pads, enabling me to install up to 12 modular devices measuring 45x45 mm. The lid is reinforced with a support plate to increase mechanical strength. KOPOBOX® 80 is available in dark gray RAL 7012.



**PP 80/45/6 - instrument pad**

The PP 80/45/6 instrument pad is installed in the same way as other PP 80 /... instrument pads in the frame of the KOPOBOX® 80 floor box, with the difference that the installation takes place without the KPP 80 instrument box. These two pads can be installed in the KOPOBOX® 80 frame. The floor box fitted in this way allows the installation of up to 12 modular 45x45mm devices.



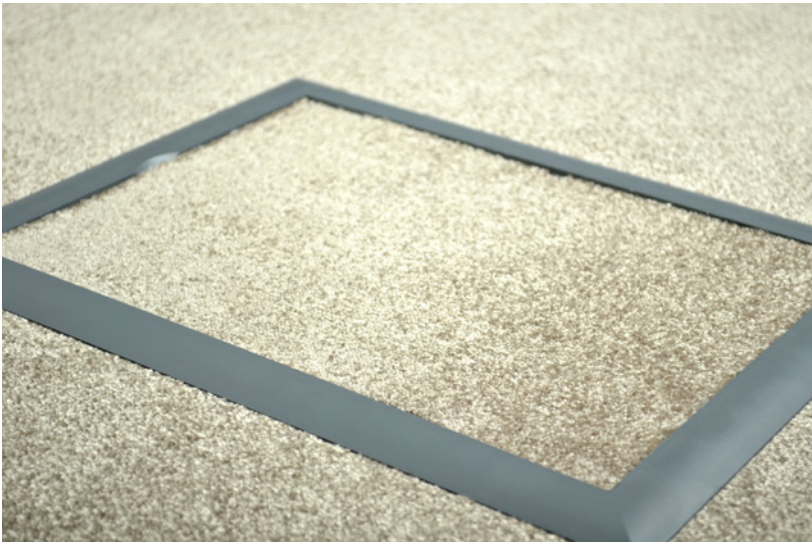
KOPOS

KOPOBOX®

## PP 80/K-5 for double floors

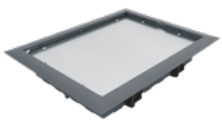


Pulling floor box assembly (blind lid)

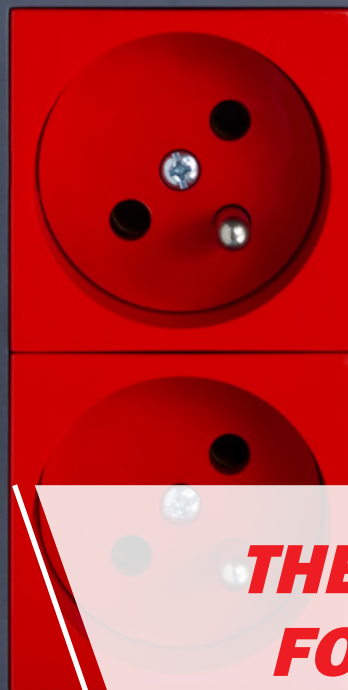
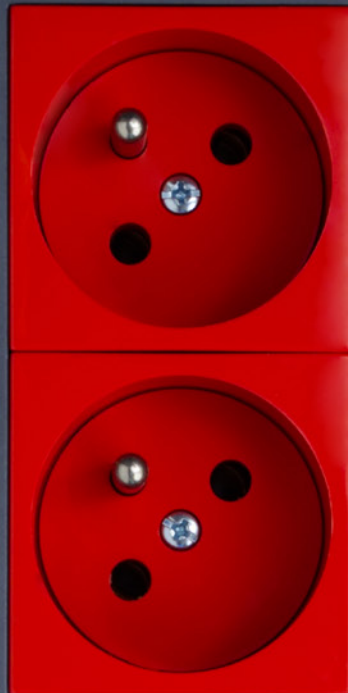


The pulling floor box assembly is installed in the double floors using the installation feet with which the box is fitted. After installing the cover plate, the box is walkable and can be loaded up to 150 kg. A floor covering is inserted into the frame of the pulling box to unify the appearance with the surroundings. If the installation needs to be expanded in the future, it is possible to additionally install one of the other KOPOBOX® series systems in place of the assembly. The PP 80 / K-5 floor box has IP30 protection.

### PP 80/K-5 - floor box frame



The pulling floor box (blind lid) is used for easy stretching of the electrical installation. It can also be used for subsequent installation of the system with devices. The frame is reinforced with a support plate to increase mechanical strength.



***THE BEST SOLUTION  
FOR YOUR FLOORS***



KOPOS

KOPOBOX®

# Accessories

## / Cable routing



**PUK 38X150 S1 - floor trunking**

The floor trunking is intended for connecting individual KUP 57 or KUP 80 boxes. The protrusions on the trunkings are prepared to ensure a conductive connection using a PLUK or PLUK1 connecting string.



**SPUK - coupling floor trunking**

To cover the joints of floor trunkings. Prevents concrete from flowing into trunkings. Fastened to the floor with a screw or nails.



**PLUK, PLUK 1 - connecting string**

Provides conductive connection of floor trunkings.

## / Modular devices- 45 x 45



**QP 45X45 - socket**

QUADRO socket module with safety pin. For 1.5 - 2.5 mm Cu conductors. The wire is fastened with a screw. Rated voltage 250 V AC, rated current 16 A. Installation is done by clicking only.



**QP 45X45 C - socket**

QUADRO socket module with safety pin and shutters. For 1.5 - 2.5 mm Cu conductors. The wire is fastened with a screw. Rated voltage 250 V AC, rated current 16 A. Installation is done by clicking only.



**QS 45X45 - socket**

QUADRO socket module with protective contacts (SCHUKO). For 1.5 - 2.5 mm Cu conductors. The wire is fastened with a screw. Rated voltage 250 V AC, rated current 16 A. Installation is done by clicking only.



**QS 45X45 C - socket**

QUADRO socket module with protective contacts (SCHUKO) and shutters. For 1.5 - 2.5 mm Cu conductors. The wire is fastened with a screw. Rated voltage 250 V AC, rated current 16 A. Installation is done by clicking only.



/ Modular devices- 45 x 22,5



**QD 45X22.5 HDMI**  
socket with HDMI connector



**QD 45X22.5 USB**  
socket with USB connector



**QD 45X22.5-RJ-12\_HB**  
45 x 22,5 x 36 mm  
socket with RJ-12 connector



**QD 45X22.5-RJ-45\_HB**  
45 x 22,5 x 36 mm  
socket with RJ-45 Cat5E connector



**QD 45X22.5-RJ45/6\_HB**  
45 x 22,5 x 30 mm  
socket with RJ-45 Cat6 connector



**QD 45X22.5-COVER\_HB**  
45 x 22,5 x 17 mm  
blind plug



**QD 45X22.5-HOLDER\_HB**  
45 x 22,5 x 17 mm  
universal component carrier

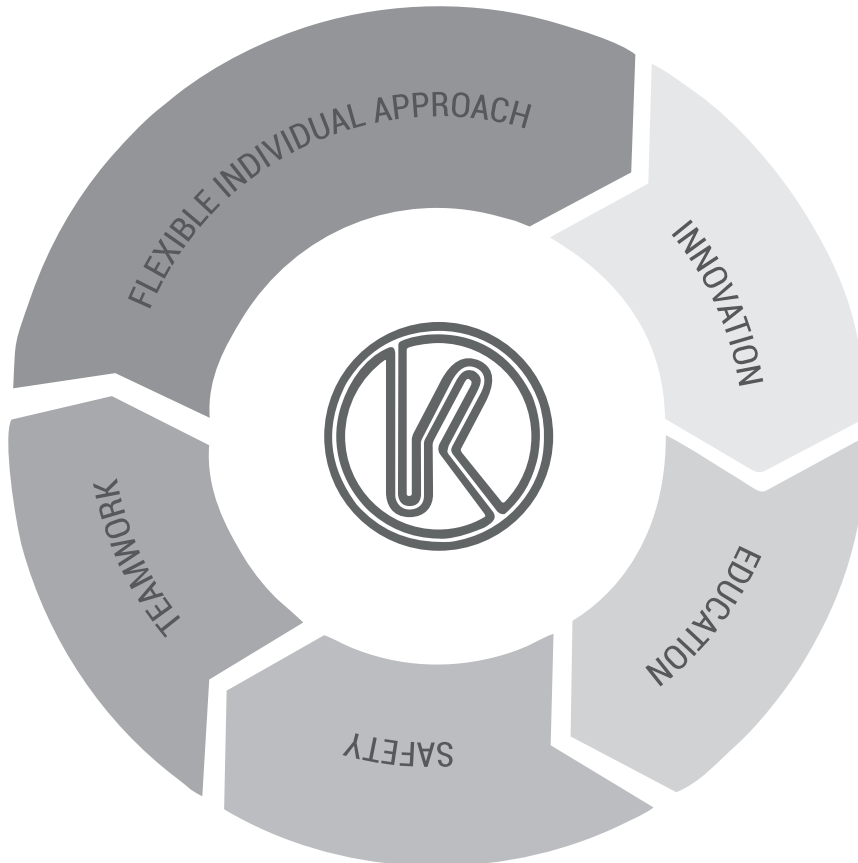
**KOPOS****KOPOBOX®**

# RANGE OVERVIEW

Fields of application	type of devices	maximum number of devices	related products	page	
concrete floors	modular	6	KOPOBOX 57	6-7	
			KUP 57 (KUP 80)		
			SN		
	classic	6	6	KOPOBOX 80	8-9
				KUP 80	
				SN	
				KPP 80 (2 pcs)	
				PP 80/3	
				PP 80/0	
	modular	8	8	KOPOBOX 80	10-11
				SN	
				KUP 80	
				KPP 80 (2 pcs)	
				PP 80/45	
				PP 80/0	
modular	12	12	KOPOBOX 80	12-13	
			SN		
			KUP 80		
			PP 80/45/6 (2 pcs)		
-	pulling	pulling	PP 80/K-5	14-15	
			KUP 57 (KUP 80)		
			SN		
double floor	modular	6	KOPOBOX 57	18	
	classic	6	6	KOPOBOX 80	19
				KPP 80 (2 pcs)	
				PP 80/3	
				PP 80/0	
	modular	8	8	KOPOBOX 80	20
				KPP 80 (2 pcs)	
				PP 80/45	
				PP 80/0	
	modular	12	12	KOPOBOX 80	21
PP 80/45/6 (2 pcs)					
-	pulling	pulling	PP 80/K-5	22	



# COMPANY POLICY



## **INNOVATION**

We continuously search for new ways leading to technology and products improvements.

## **FLEXIBLE AND INDIVIDUAL APPROACH**

Our customers enjoy the complex service and their requirements are solved individually. We are building a strong and long-term business partnership.

## **RESPECT**

We respect people as individualities. We pursue open dialogue and a common solutions. Gentleness and helpfulness promote good relationships.

## **TEAMWORK**

We recognize the fact that each employee contributes to the company growth; only motivated and cooperating teams become successful and continuously achieve the goals.

## **EDUCATION**

Expertise and skill enhancement are an integral part of the company strategy.

## **SAFETY**

Environmental protection, occupational safety and health are a requirements embedded in all our company activities. We comply with the strict standards of ethics and work control.



KOPOS KOLÍN, a. s.  
Havlíčková 432  
280 02 Kolín  
Česká republika

tel.: +420 321 730 111  
e-mail: [kopos@kopos.cz](mailto:kopos@kopos.cz)  
[www.kopos.cz](http://www.kopos.cz)

